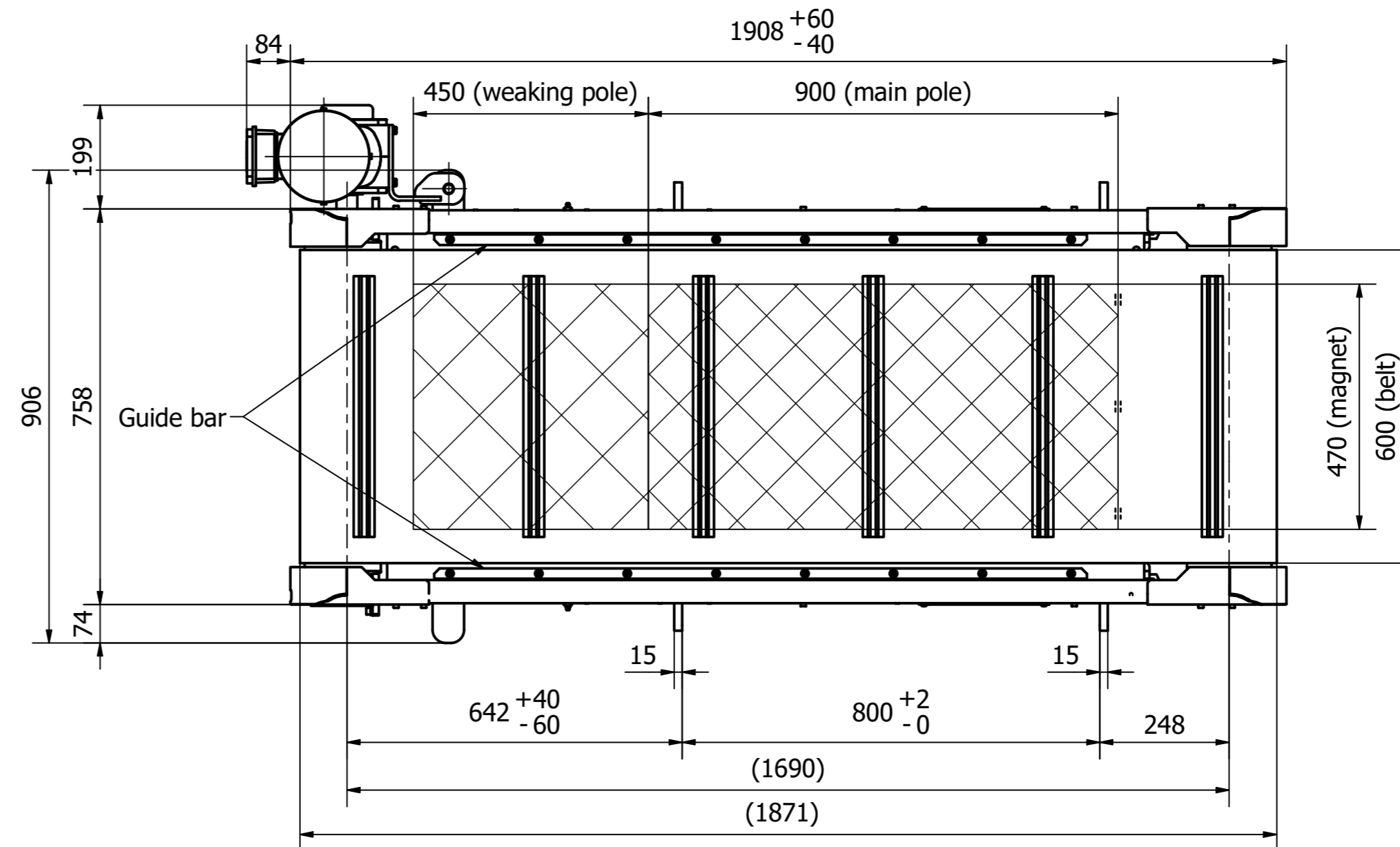
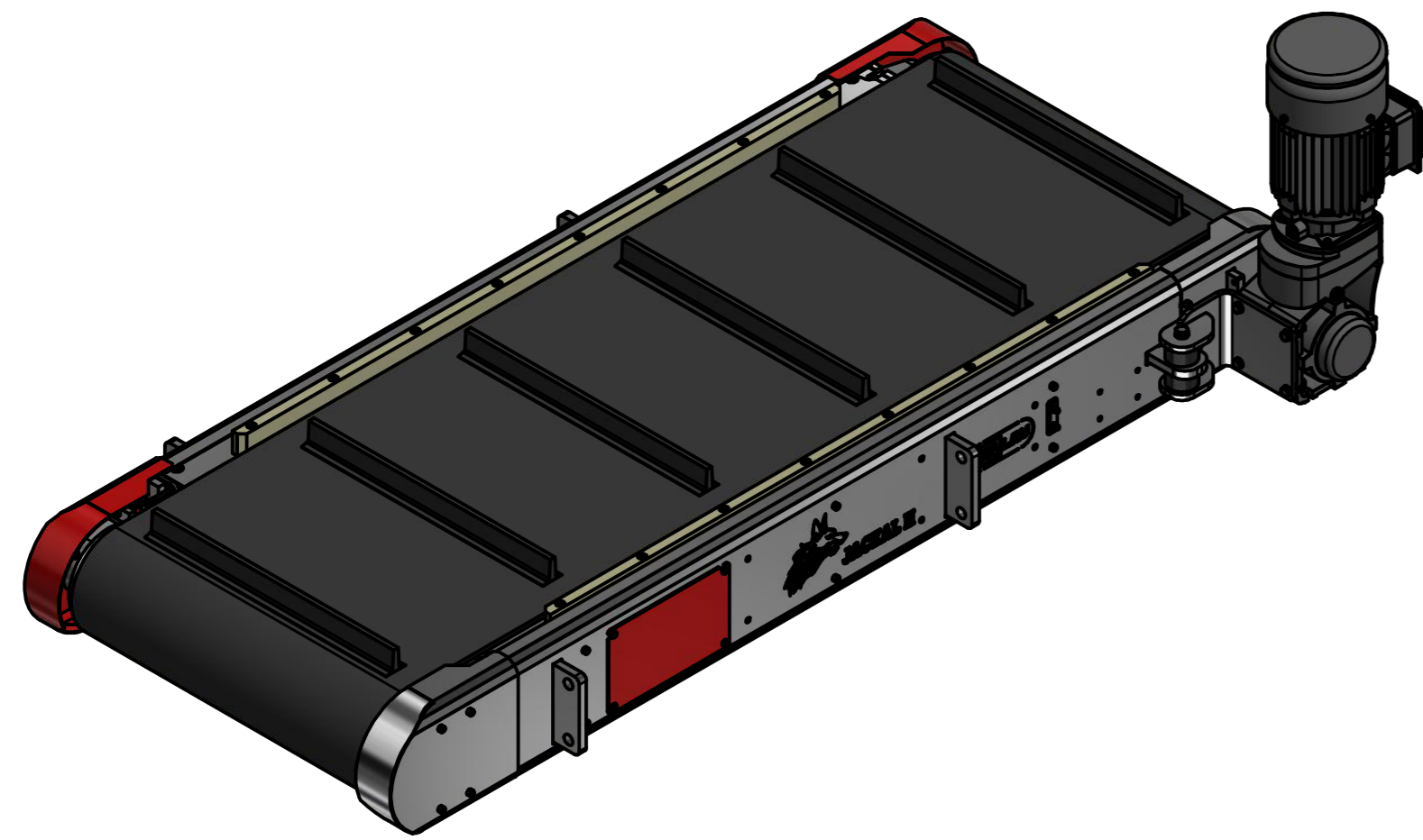
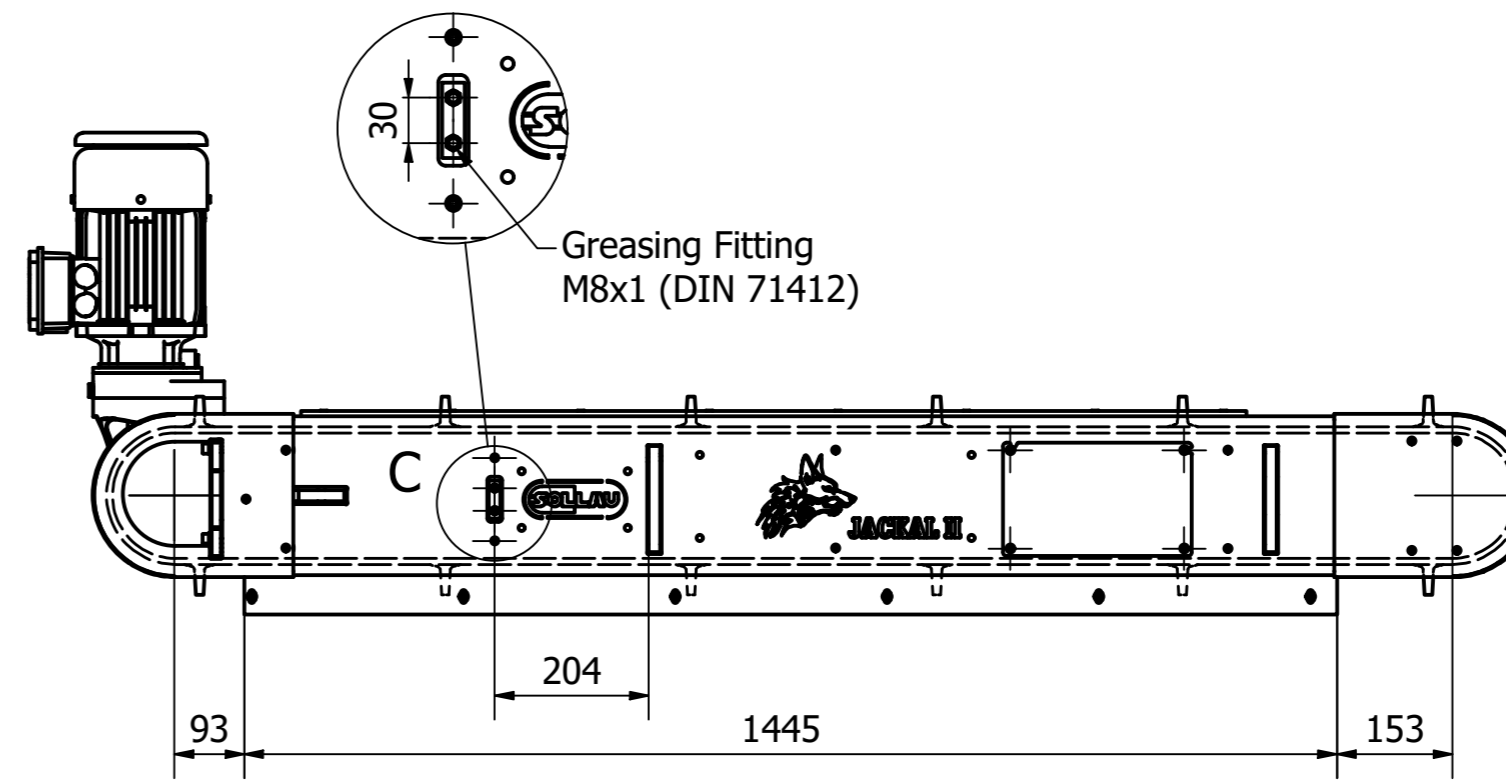
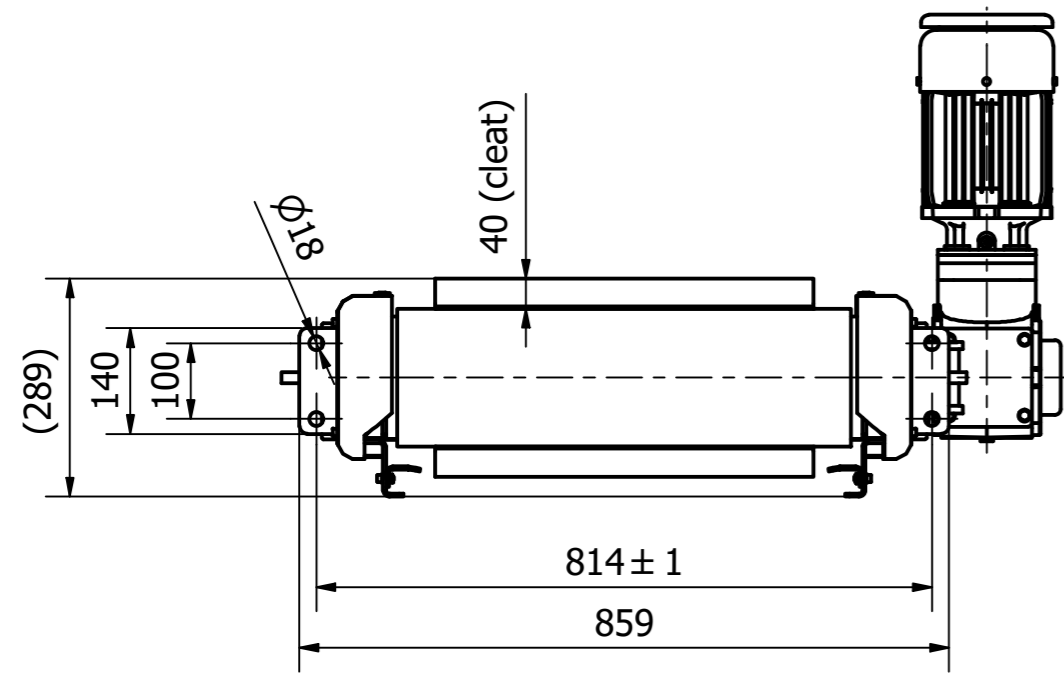
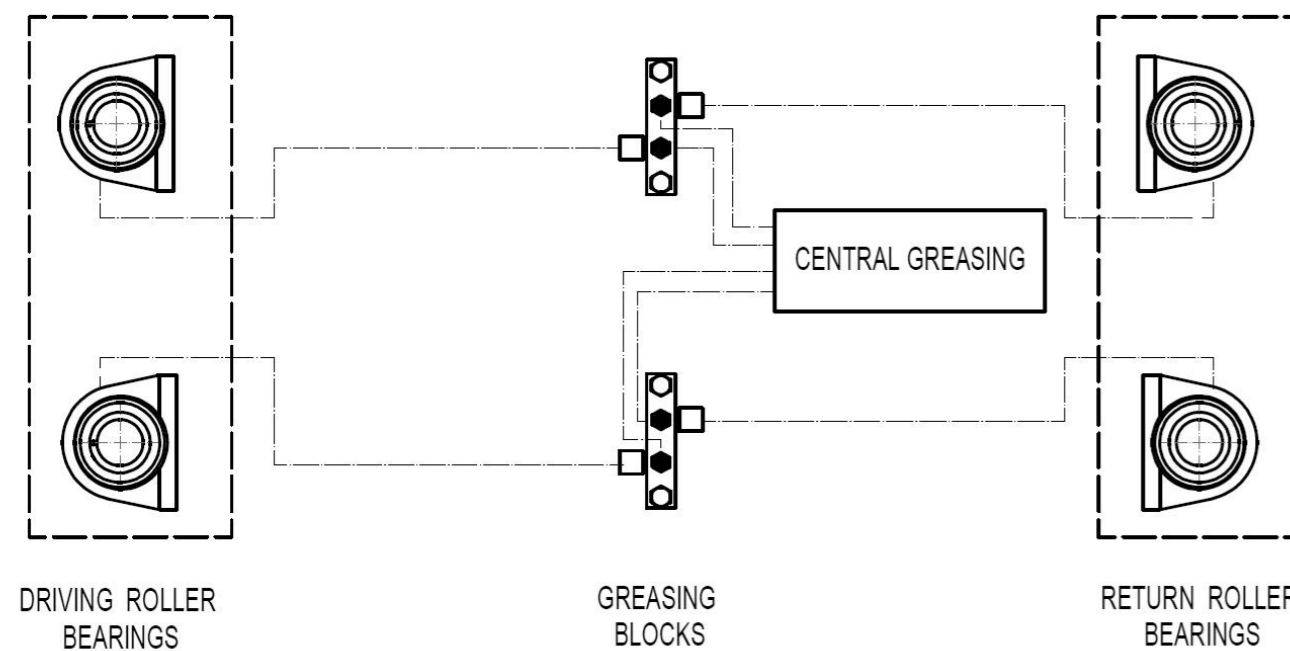


C (1 : 5)
Greasing block



GREASING SCHEME



- Frame material:** 1.4301
- Bearings:** Plummer block housing units PSHEY40-XL-N
- Belt:** EP-250 3+1,5 / 600 x 3.980mm / 12 cleats T40/10 / completely hot vulcanised Murlubric® Black (Murtfeldt Kunststoffe GmbH & Co. KG)
- Guide bars:**
- Magnet:** Main pole 900x470mm, magnetic material NdFeB N35
Weaking pole 450x470mm, magnetic material Ferrite Y30BH

CONSTRUCTION DRAWING

		Material	
		Weight	503,615 kg
		Production tech.	Sestava
		Quantity	
Drawn Dalibor Kubiček		Not tol. measures	ISO 2768-mK
Date 20.11.2019		Protected by	ISO 16060
Project name		Format	Scale
DND-AC		A2	1:10
Drawing number	Rev.	Part name	Sheet / Sheets
MD-120710	00	DND-AC NS1	1 / 1